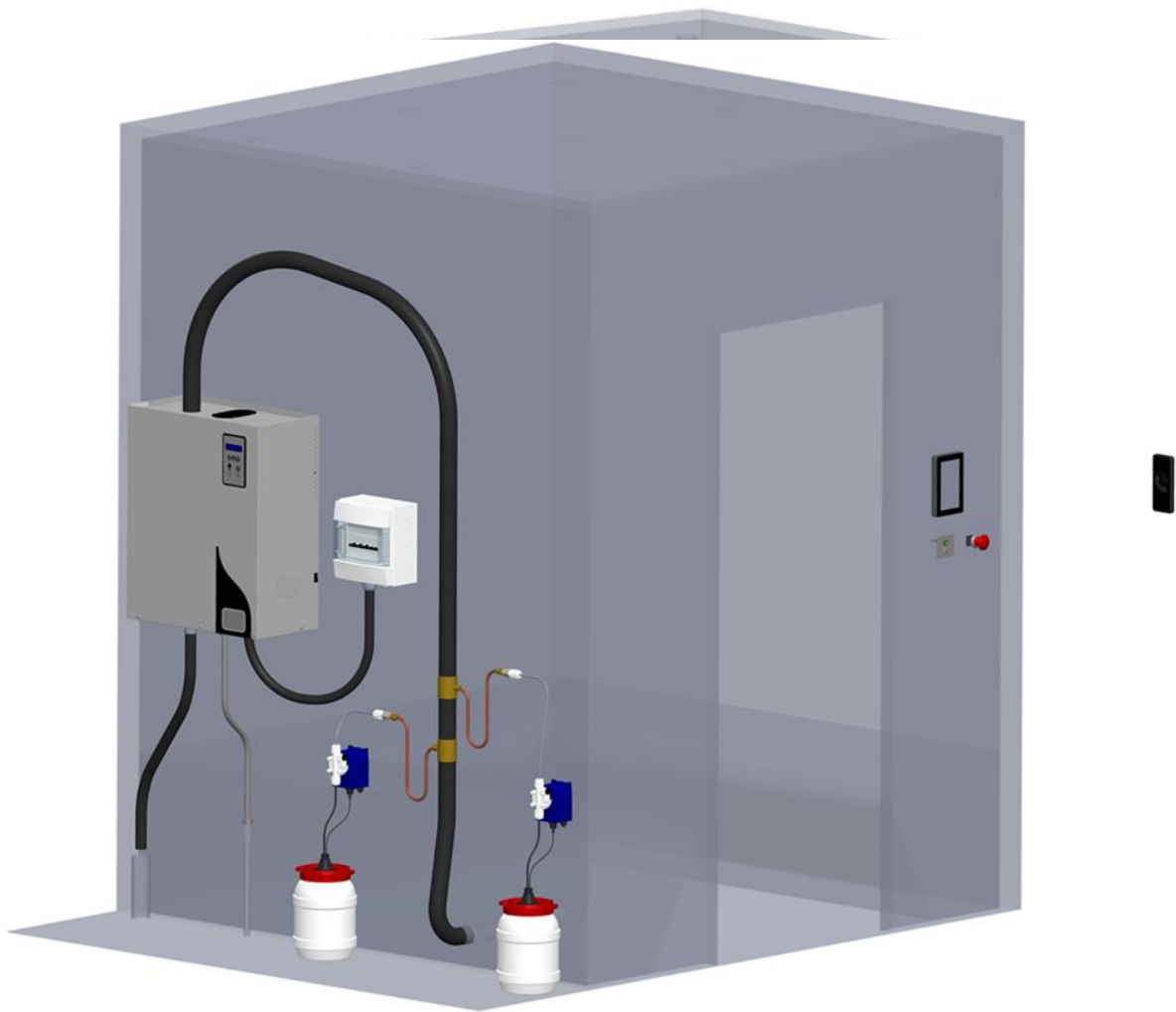




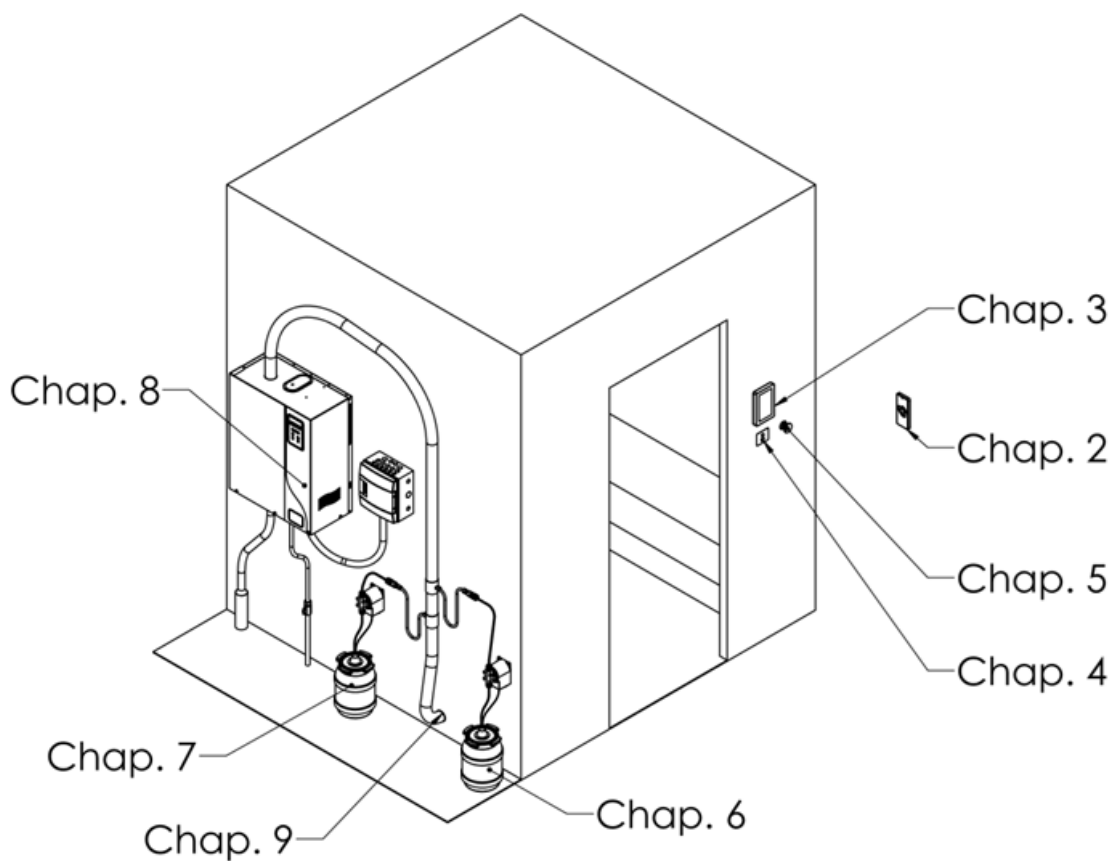
Instruction & Operation Manual



ACCESSORIES AND OPTIONS FOR STEAM GENERATORS

Contents

1. SAFETY INSTRUCTIONS.....	4
2. GATEWAY	7
3. STEAM BATH REMOTE CONTROL	11
4. EMERGENCY STOP.....	17
5. TIMER BATH.....	18
6. FRAGRANCE DISPENSER	Erreur ! Signet non défini.
7. DISINFECTANT DISPENSER.....	24
8. LIGHT TRANSFORMER	29
9. STEAM DIFFUSION NOZZLE	30



1. SAFETY INSTRUCTIONS

1.1 INTRODUCTION

You have recently purchased accessories and options for the ElectroVap® STEAM BATH steam generator and we hope that you will be completely satisfied with this product. Thank you for your confidence in our product. The safety instructions contained in this manual are intended for specialized, qualified personnel authorized to install, commission and maintain the appliance.

For best results, we recommend to :

- Read the instructions in this manual carefully
- Keep this manual in a safe place for future reference.
- Pass on this manual in the event of sale or transfer of the unit, to ensure that all information concerning the unit is passed on.

SAFETY WARNINGS AND SYMBOLS USED IN THIS MANUAL



Danger! Caution.

General safety instructions, violation of which could lead to malfunctions and/or personal injury and/or property damage.



Danger! High voltage.

Presence of high voltages inside the device or one of its components.
Failure to heed this warning may result in death or serious bodily injury.
People and/or major equipment malfunctions.



Danger! High temperatures.

Make sure that protective equipment is worn and keep a safe distance from the machine.
between the device and any materials likely to be damaged by heat.
We recommend keeping steam bath temperatures between 40°C and 50°C maximum.
Beyond that, health risks can arise.



Electrostatic hazard.

Device components may be subject to damage as they are highly sensitive to electrostatic discharge.



Möbius strip.

Some parts of the device can be recycled. The user is responsible for their disposal. Follow the recycling recommendations adapted to the materials used in your area.

- If the package is damaged, please make a claim to your carrier by registered letter with acknowledgement of receipt within 24 hours and make a declaration to your Devatec representative.
- Images, graphics and values are subject to change without notice.
- Keep these instructions in a safe place, and if you have any questions which are not answered in this manual, please do not hesitate to contact us or your Devatec representative.

Our team is ready to listen!

1.2 IMPORTANT NOTES

<p>GENERAL</p>	<p>This manual contains details of installation, commissioning and maintenance of accessories and options for the ElectroVap® STEAM BATH steam generator.</p> <p>Maintenance, service and repairs, as well as the study of the risks and dangers associated with these operations, must be carried out by qualified, competent and authorized personnel.</p> <p>Make sure that any risks or hazards, especially when working at height, are defined in advance by an authorized person.</p> <p>We also recommend installing a safety perimeter. Make sure the power supply is disconnected before carrying out maintenance.</p> <p>Please tighten all power cable terminals periodically.</p>
<p>INTENDED USE</p>	<p>The ElectroVap® STEAM BATH steam generator accessories and options manufactured by Devatec are intended solely for use in the production of temperature-controlled steam for steam rooms within the limits of the specified operating conditions.</p> <p>The user undertakes to use the equipment in accordance with the safety rules set out in this documentation.</p> <p>Improper use may result in danger and serious damage to the user, third parties and equipment.</p>
<p>STORAGE & HANDLING</p>	<p>The products described in this manual must be stored in a dry, frost-proof place, protected from shocks and vibrations. Handling must be carried out by at least two people or by suitable lifting equipment.</p>
<p>WATER</p>	<p>The steam generator can be operated with potable, demineralized or softened water. It is absolutely forbidden to inject chemicals into the hydraulic system. Ensure that the water supply pressure does not exceed 8 bar. Always ensure that the installation complies with local standards.</p>
<p>ELECTRICITY</p>	<p>The user guarantees that the electrical installation work will be carried out by a qualified technician. It is the installer's responsibility to provide the correct cable cross-section and thermal-magnetic circuit breaker protection in accordance with the regulations in force in the country of installation. Ensure that the generator is earthed with a suitable conductor.</p>
<p>GUARANTEE</p>	<p>Devatec guarantees its devices, excluding wearing parts, for 12 months from the date of installation and 15 months from the date of shipment.</p> <p>Devatec's liability shall be limited exclusively to the repair or replacement of the defective part or product, excluding labor and installation or disassembly costs. At its discretion, Devatec may also decide to refund the purchase price of the part or product. Failure to comply with the above recommendations, additional assembly and/or conversion using components other than those supplied with the device, or any other use other than that intended, will be considered as non-compliance with the prescriptions and will invalidate the warranty.</p>
<p>RESPONSIBILITY</p>	<p>Devatec accepts no liability for faulty installation or improper use of the equipment and its components.</p> <p>We strive to provide you with a manual that is as comprehensive as possible. However, conditions in the air handling industry are such that the information contained in this documentation may be subject to change without notice.</p>

1.3 RoHS DECLARATION


Devatec,

Confirms that ElectroVap® STEAM BATH steam generator accessories and options are manufactured in compliance with the following European regulations:

2011/65/EU

These regulations govern the use of mercury, cadmium, lead (in welding processes), chromium VI as well as PBB and PBDE after July 1, 2006.

MINFRAY Jean-Marie
R&D Engineer
01/01/2022

A handwritten signature in black ink, appearing to be 'JM' or similar initials, written in a cursive style.

2. GATEWAY

2.1 PRODUCT PRESENTATION

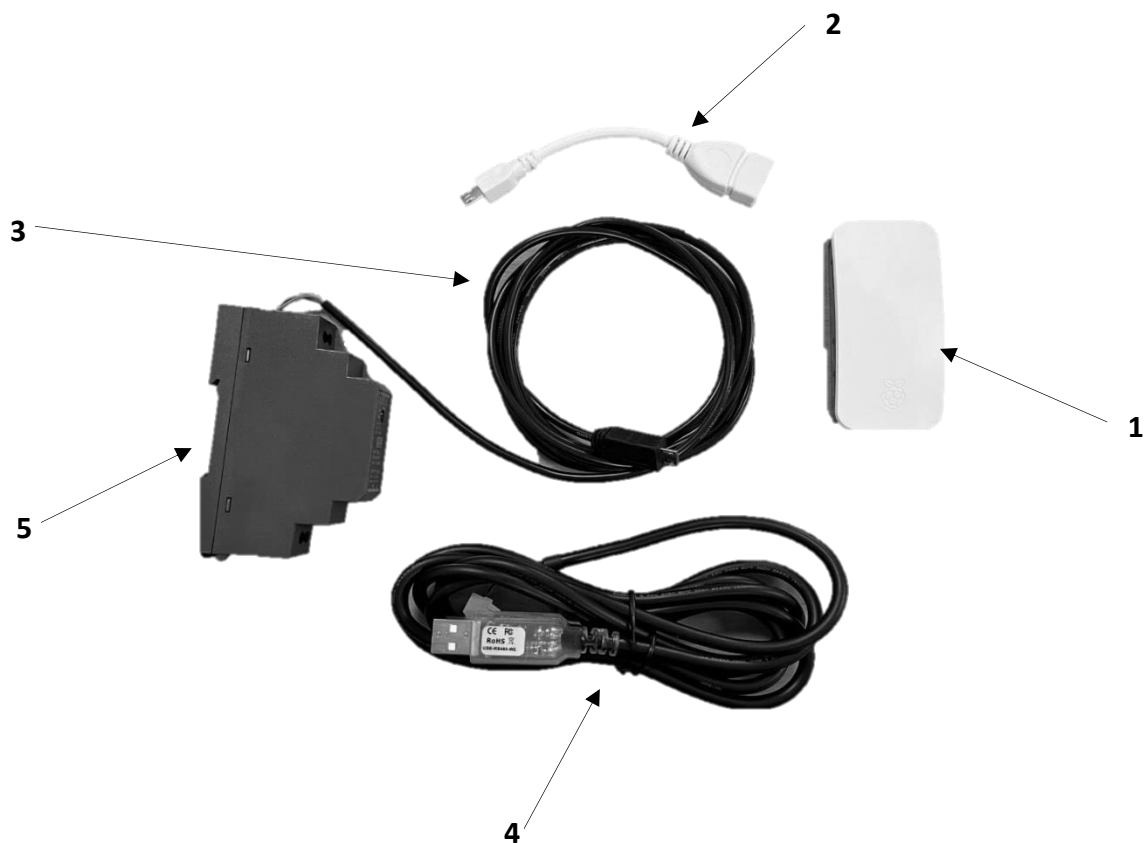
2.1.1 Contents

The Devatec Gateway option is an accessory designed to control certain ElectroVap Steam Bath functions using a smartphone. The Bluetooth kit enables :

- Start and stop steam production
- Remote calendar control of the Steam Bath generator (ELMC-SB)
- Whether or not the light is activated
- Fragrance diffusion management
- On/off control of 4 other options (requires optional 8-relay card)

The Bluetooth kit includes the following components:

1. Devatec Gateway
2. UBS-A / micro-USB OTG adapter
3. USB power cable
4. USB Modbus communication cable
5. Power supply 230 Vac / 5 Vdc



2.2 INSTALLATION

2.2.1 Positioning

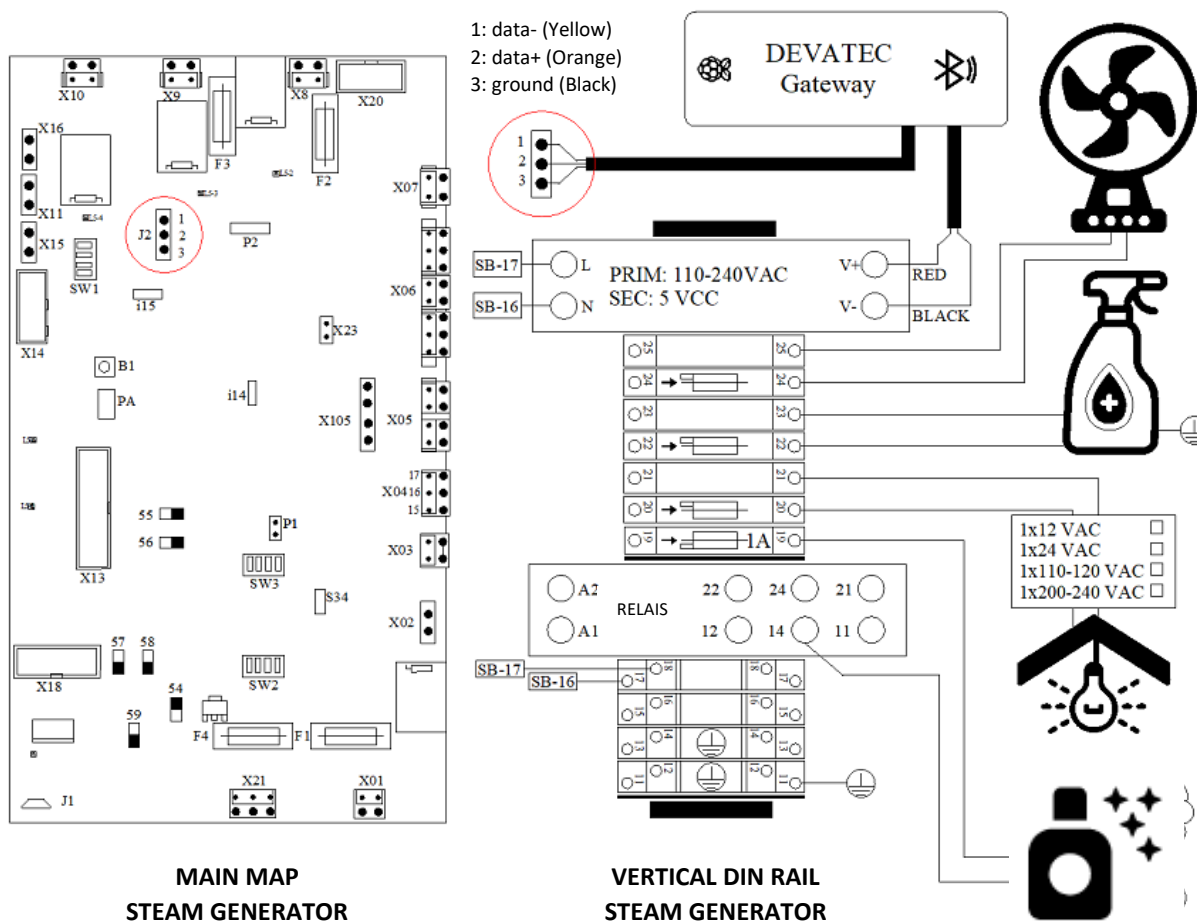
Communication uses Bluetooth 5.0 Low Energy (BLE), so it's advisable to follow good practice to optimize communication. All metal structures will limit the communication range. To increase it, it's best to place it outside the steam generator and keep the Devatec Gateway away from load-bearing walls and metal structures.

It is advisable to place this option as close as possible to the point of use. You can connect your Devatec Gateway, then place it under the electrical part of the steam generator, if the range is sufficient for use.

To fix it in place, use the double-sided adhesive supplied.

The Modbus cable supplied is 1.5 m long; if required, it can be extended with another shielded cable (shielded cable 3x0.22 mm²/24 AWG) and the Devatec Gateway powered from another 230Vac socket using a micro USB power supply, 5V 1A minimum.

2.2.2 Electrical connection



2.2.3 Start

In the case of a separate power supply, **the steam generator must be started up before the Devatec Gateway**, which takes about **5 minutes** to initialize completely. At the end of the initialization cycle, the USB connector on the Modbus cable flashes briefly.

2.3 USE

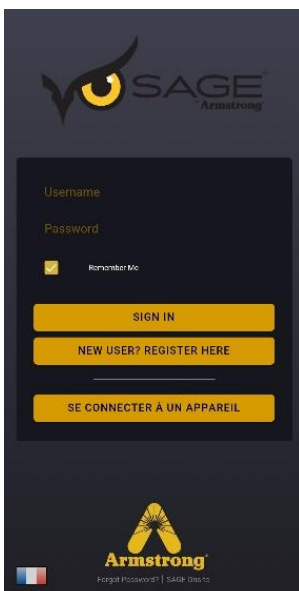
2.3.1 Devatec Steam Bath application

First, you need to download the *SAGE® by Armstrong* application. Go to the store on your mobile device to download it. You can also use the links or scan the QR codes below:

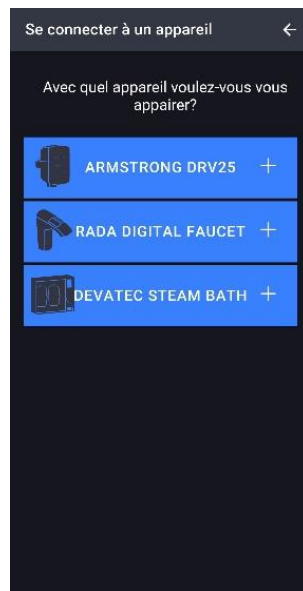


2.3.2 Application visuals

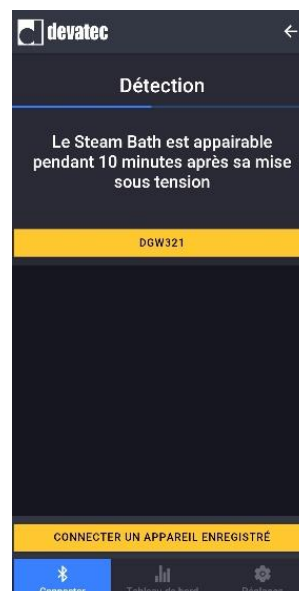
NOTE: both location and Bluetooth access are required to run the application (this is due to the use of Bluetooth 5.0 Low Energy technology).



Application home page :
Select "CONNECT TO A DEVICE".



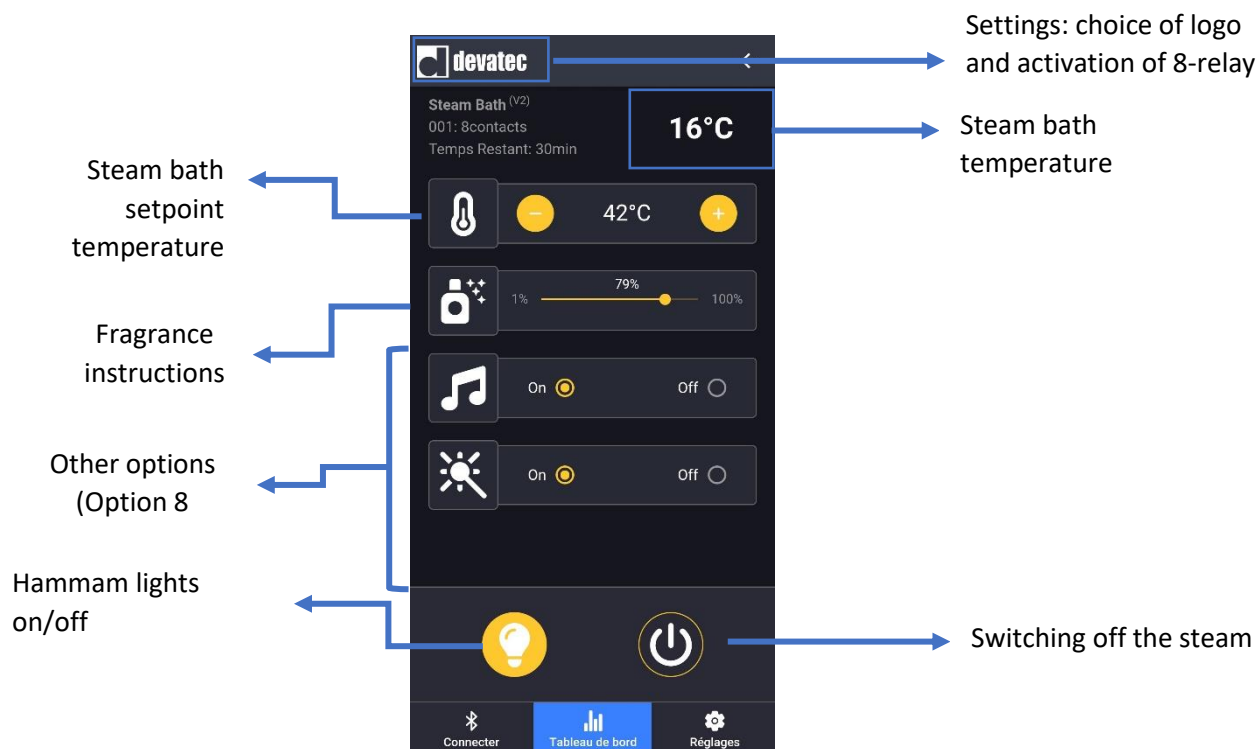
Product selection page,
Select: "DEVATEC STEAM BATH"



Product Detection page,
Select: "DGW321"



Device page available,
Select: "STEAM BATH-XXX".



2.4 TROUBLESHOOTING

2.4.1 Application does not detect Devatec Gateway

Check that Bluetooth and localization are correctly activated. Although Devatec does not collect any data, these 2 attributes are necessary for the Bluetooth Low Energy used by the application to function.

In some cases, the mobile device requires a Bluetooth restart to operate correctly. Check your device settings to restart it.

On IOS, pairing with the Devatec Gateway is required.

2.4.2 Application does not detect steam generator on Devatec Gateway

Check that the steam generator has been switched on before the Devatec Gateway. If in doubt, restart your Devatec Gateway.

After each Devatec Gateway start-up, you must wait at least 5 minutes for it to initialize completely. Before this, the Devatec Gateway will be detectable, but not the steam generators connected to it.

If you are on IOS, check that you are correctly paired.

3. STEAM BATH REMOTE CONTROL

3.1 PRESENTATION

The steam bath remote control allows :

- Start and stop steam production
- Remote calendar control of the Steam Bath generator (ELMC-SB)
- Adjustment of the steam room temperature setpoint
- Whether or not the light is activated
- Fragrance diffusion management
- On/off control of 4 other options (requires optional 8-relay card)

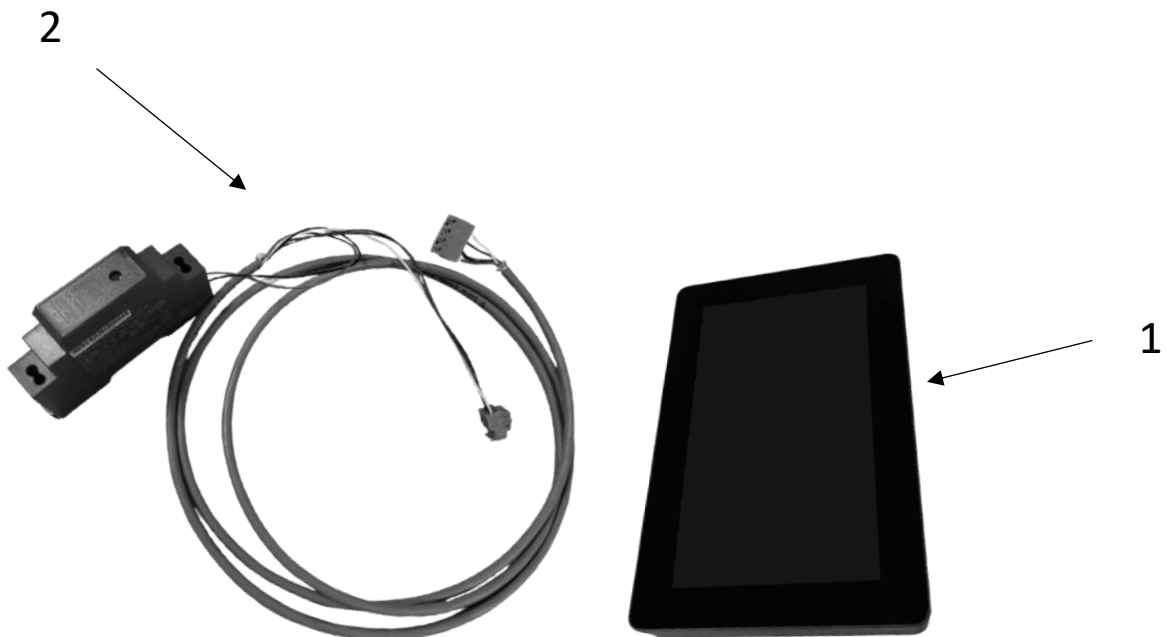


The 3-contact (or 8-contact) board is essential for operation of the remote control option. It is fitted as standard in new steam generators. If your steam generator does not come with this board, please order it from your distributor.

3.1.1 Contents

This accessory includes the following components:

1. A Devatec remote control
2. 5 VDC communication and power supply kit for remote control



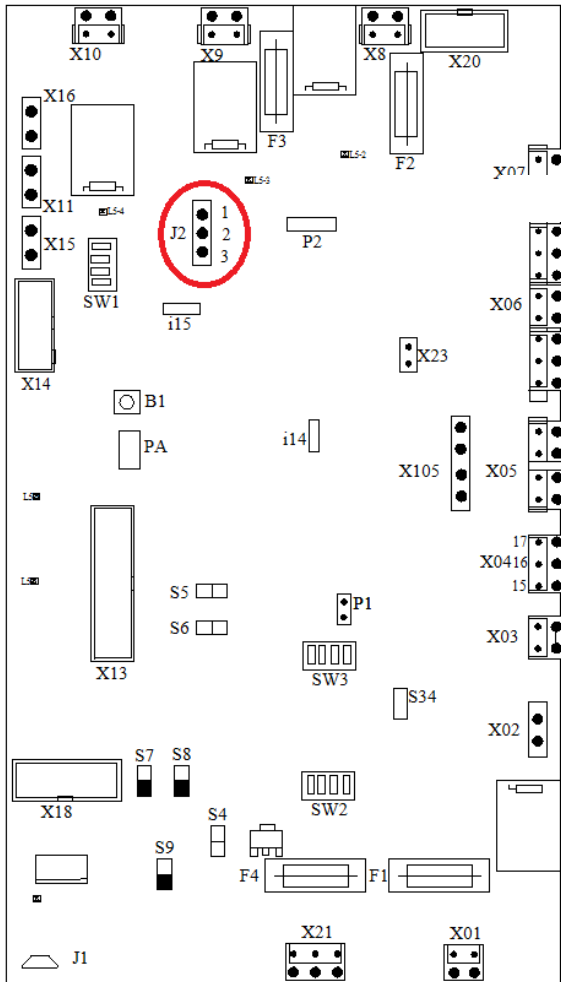
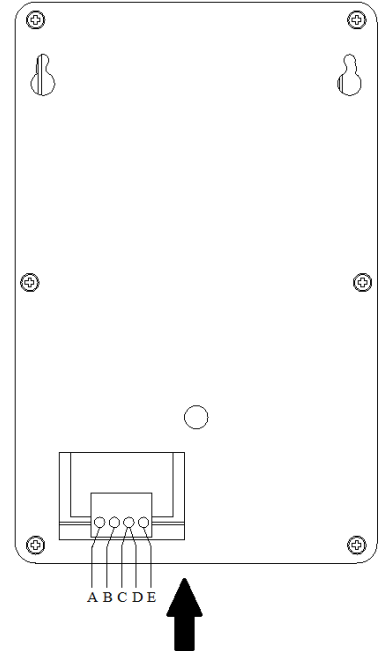
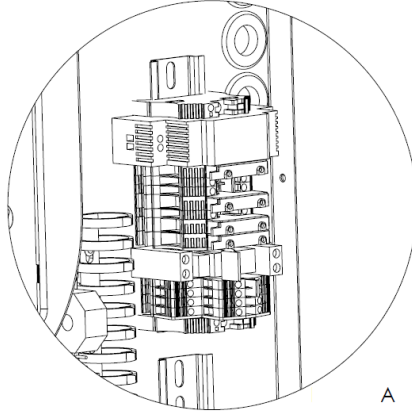
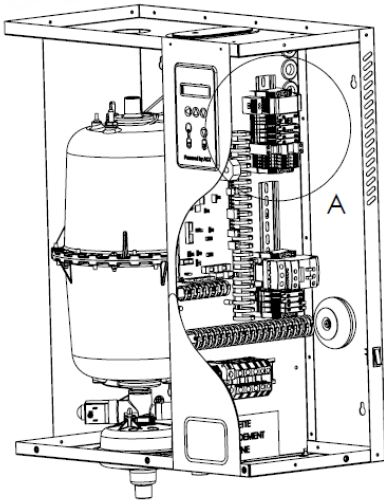
3.2 INSTALLATION

3.2.1 Connection

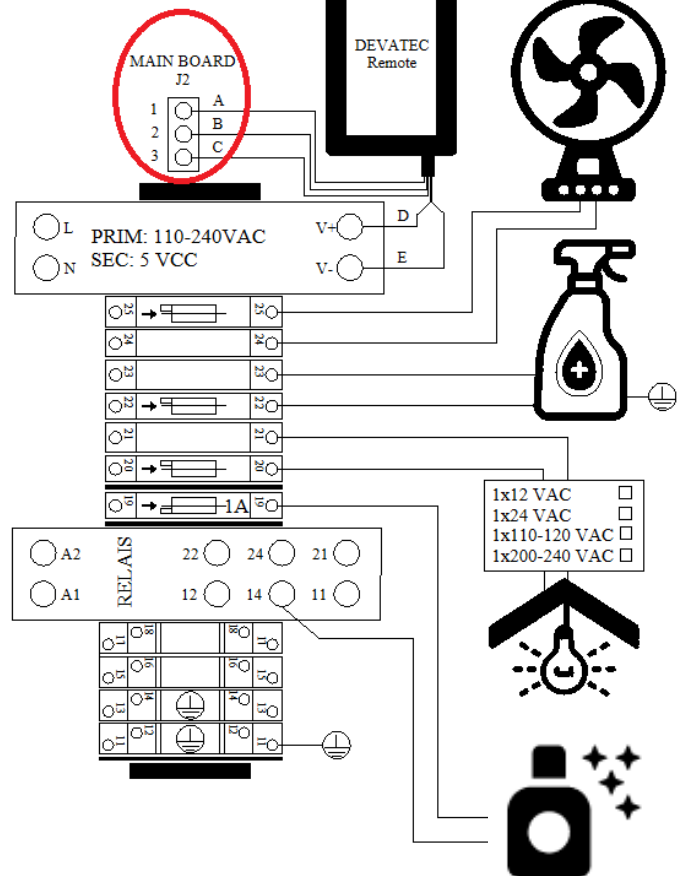


For the electrical connections below, use 0.75mm² maximum flexible cable.

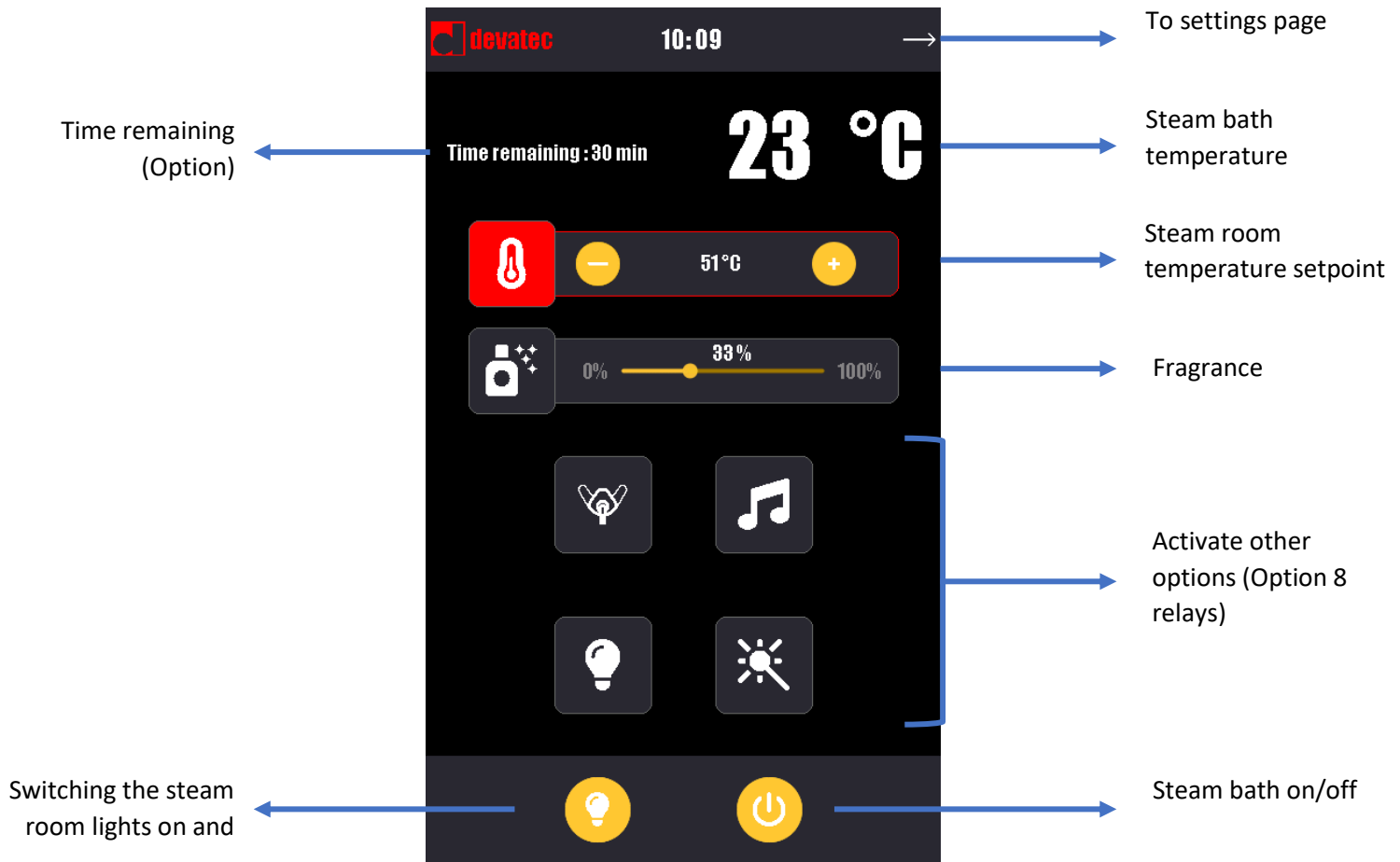
Position inside the generator




--- Option Devatec Remote







3.2.2 Home page



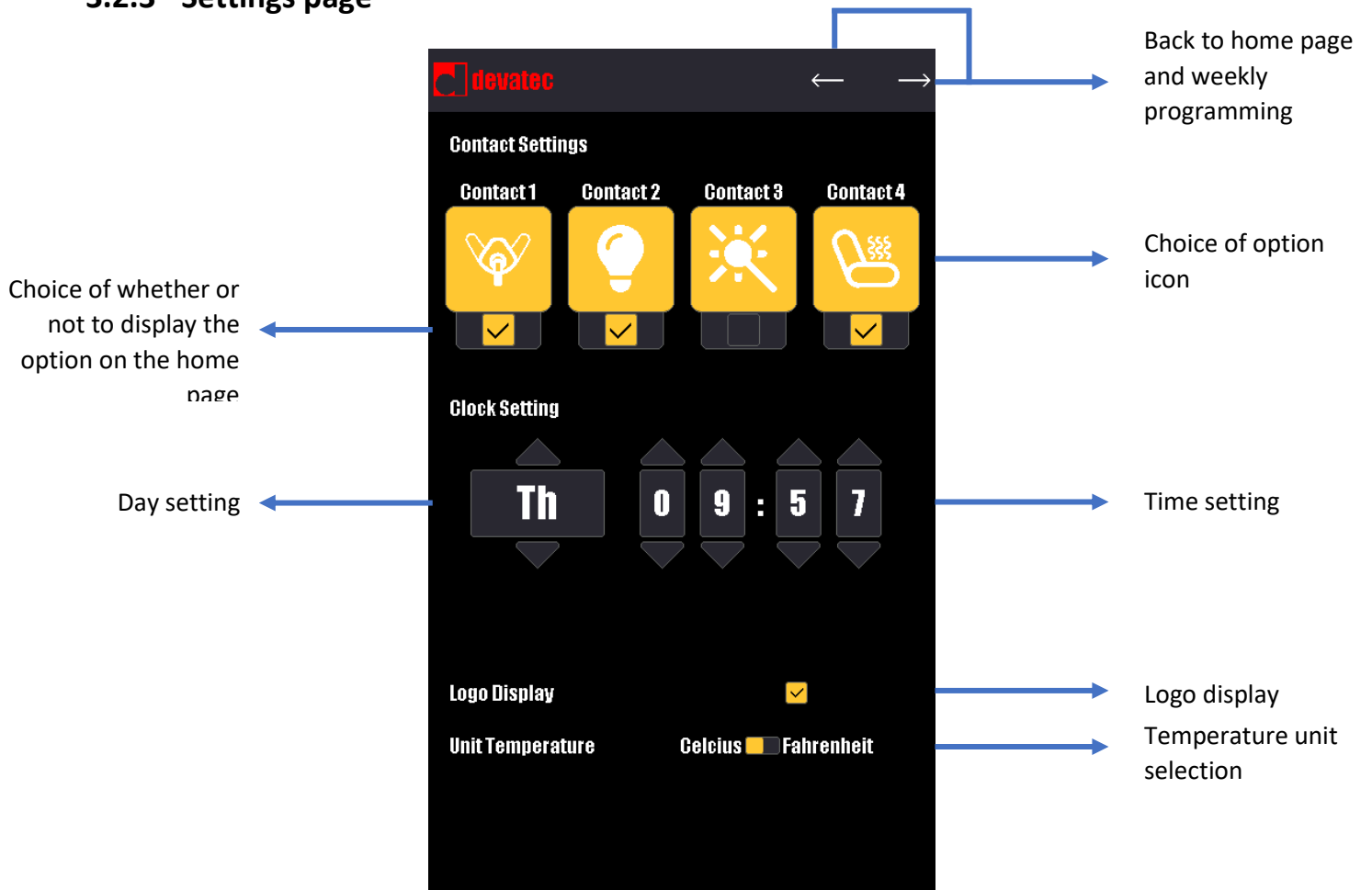
When your remote control is switched on, or if the connection with the steam generator is lost, the  symbol is displayed until the connection with your steam generator is established. Once the connection is established, the symbol disappears and the remote control displays the home page.

Buttons are yellow if active, grey if not. The setpoint temperature display has a red outline if it is above 50°C, otherwise the outline is grey.






Icons definition :

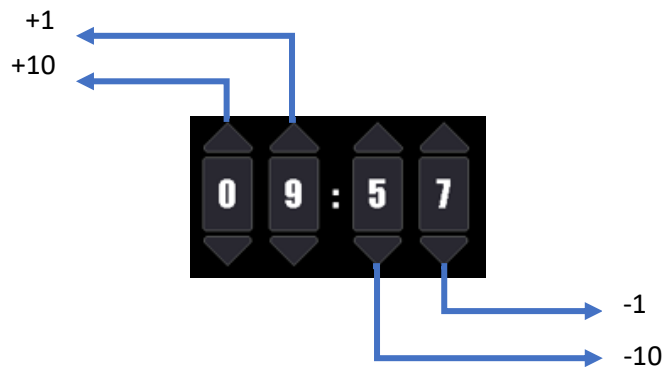
-  Temperature
-  Fragrance
-  On/Off
-  Light

3.2.3 Settings page

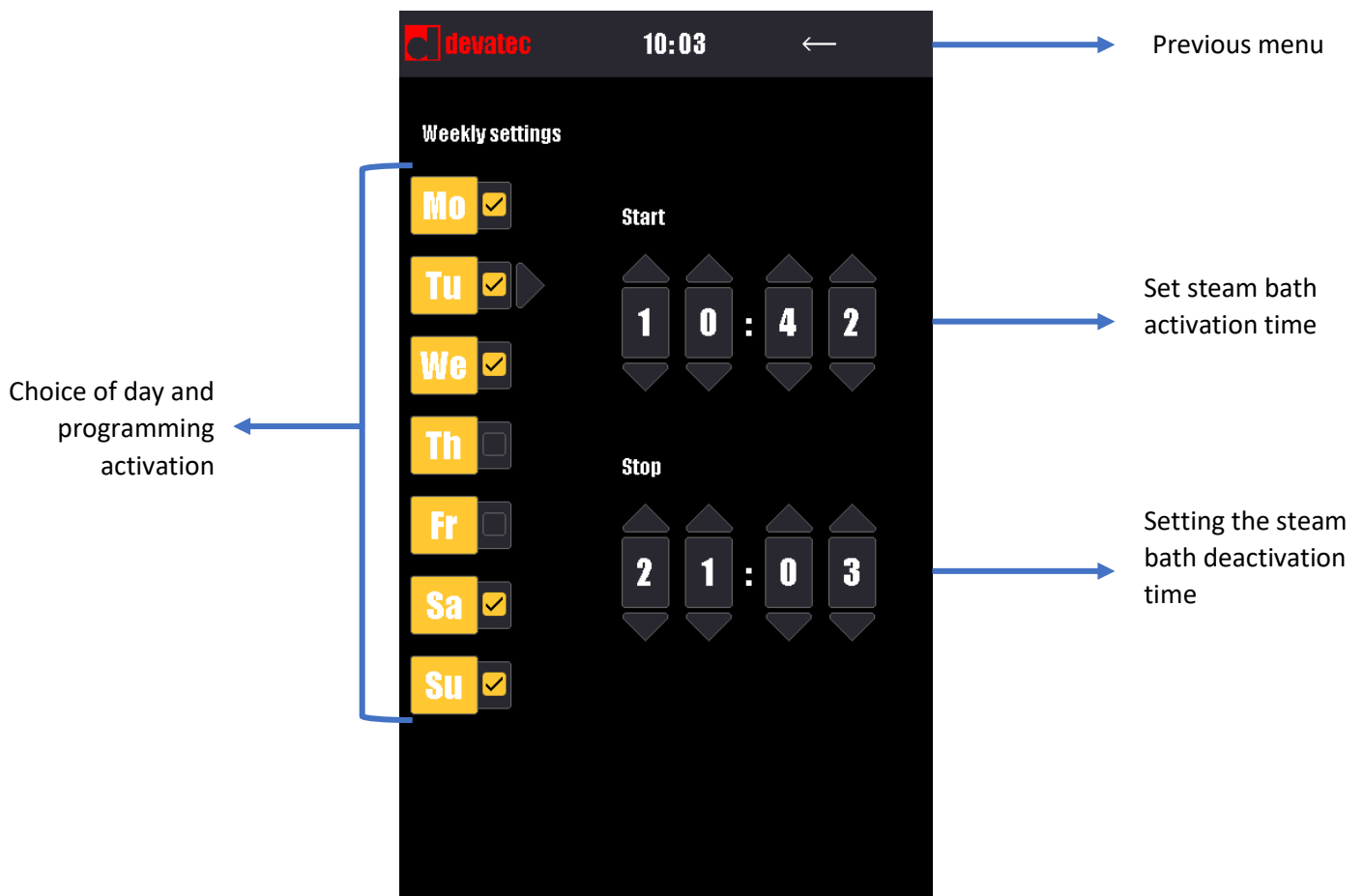


Icon definition and operation :

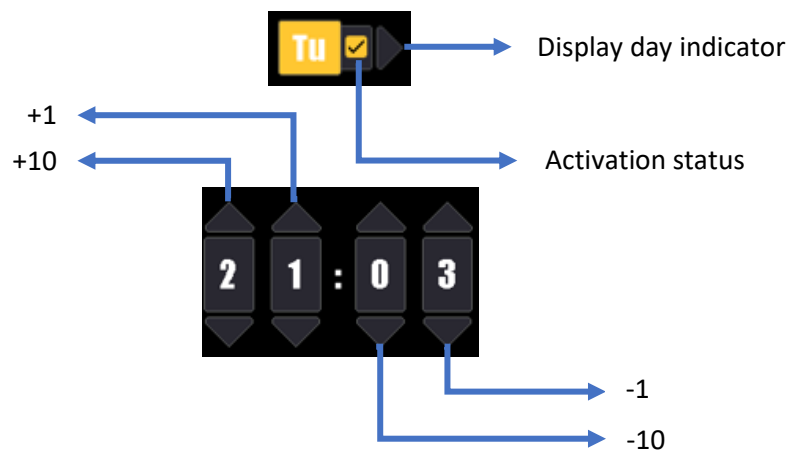
-  Laser
-  Heated seat
-  Inhaler
-  Music
-  Light



3.2.1 Programming page



How it works :



4. EMERGENCY STOP

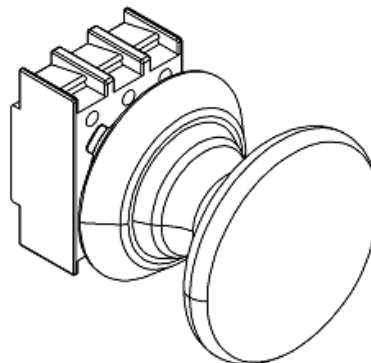
The emergency stop option enables the steam generator to be switched off immediately at the touch of a button, and to activate the ventilation (if ventilation is connected to the generator). To restart steam production, it is necessary to disengage the push-button and switch the steam generator off and on again.

4.1 CONTENT AND DIMENSIONS

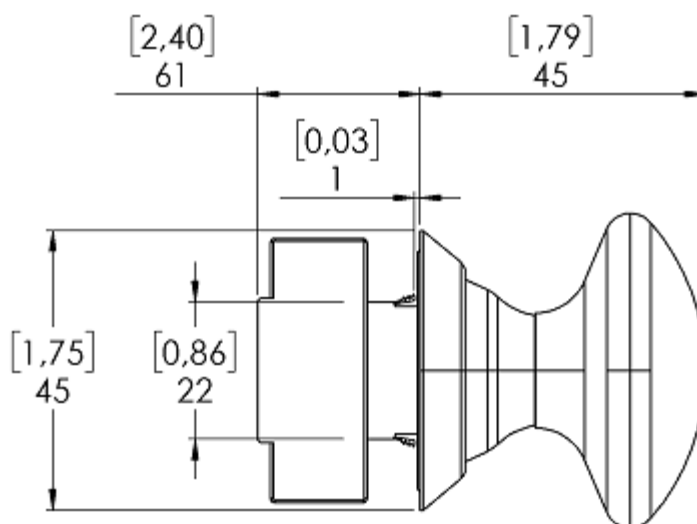
4.1.1 Contents

This accessory includes the following components:

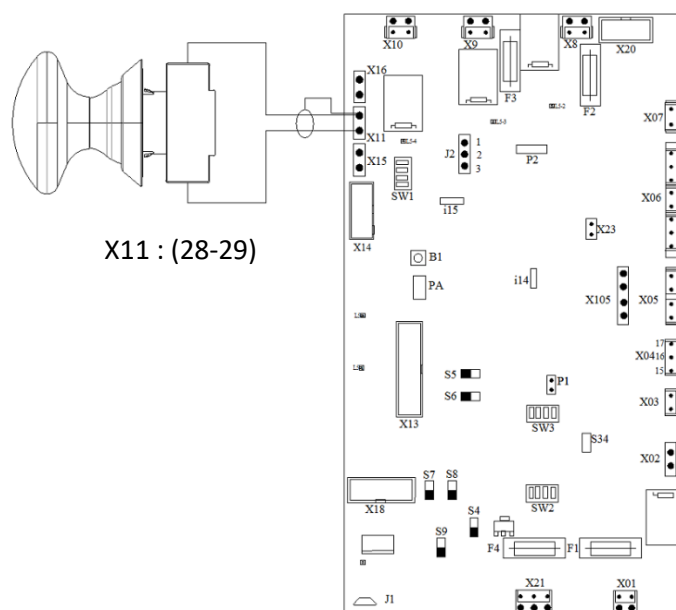
1. IP 67 emergency stop button



4.1.2 Dimensions



4.1.3 Electrical connection



5. TIMER BATH

The timer bath allows the steam generator to be switched on for a user-defined time. This option is not compatible with the Remote Control and Gateway options.



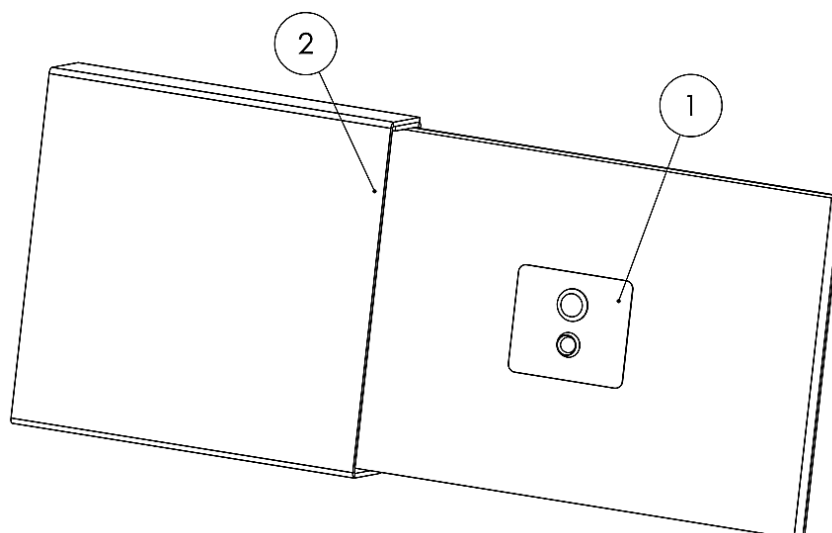
The 3-contact board is essential for operation of the timer bath device. It is fitted as standard in new steam generators. If your steam generator is not equipped with this board, please order it from your distributor.

5.1 CONTENT AND DIMENSIONS

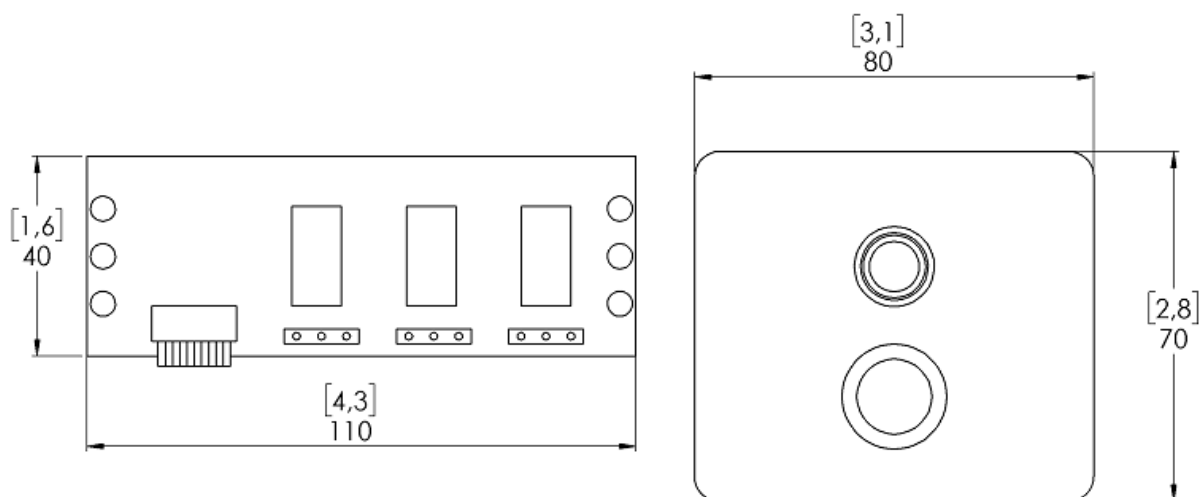
5.1.1 Contents

This accessory includes the following components:

1. One module with pushbutton and two-tone LED
2. Packaging cardboard



5.1.2 Dimensions



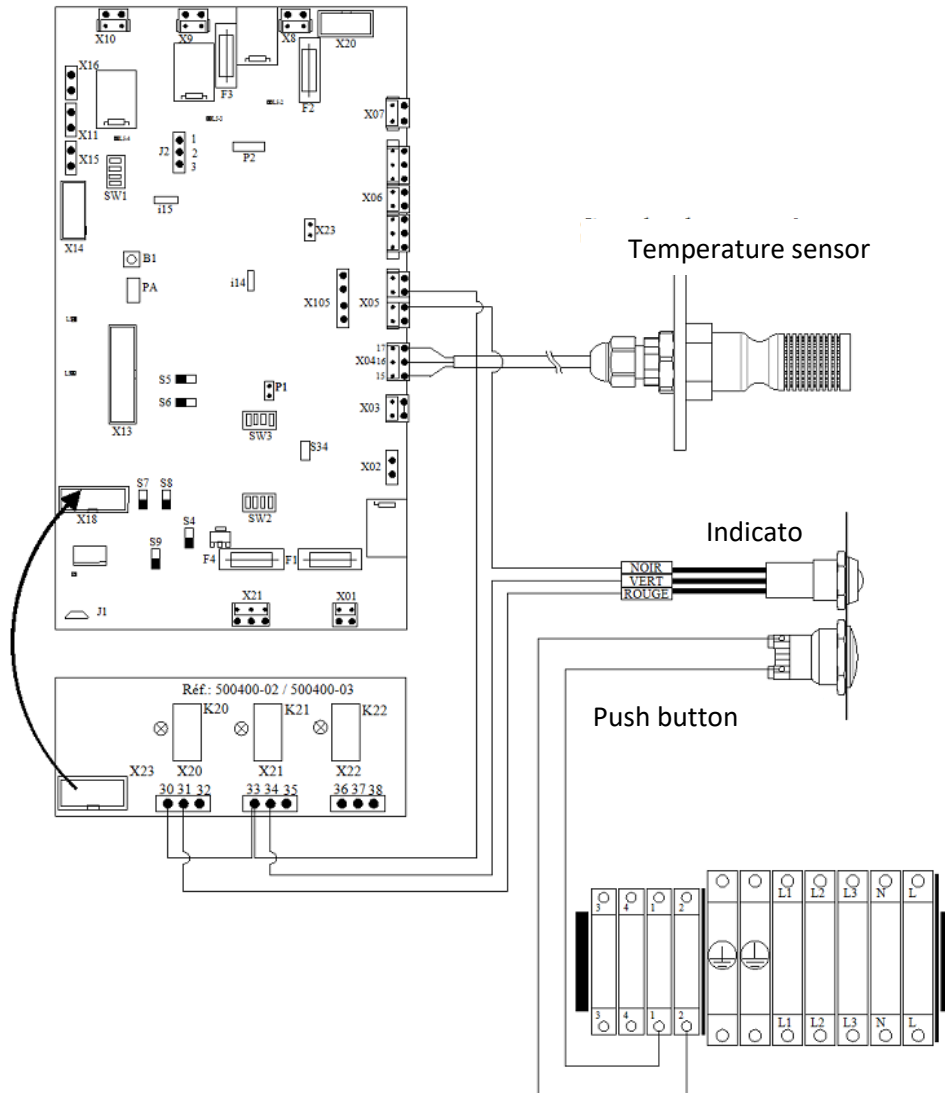
5.2 INSTALLATION

5.2.1 Positioning

The module with push-button and two-tone LED is mounted on the wall next to the steam bath door. The 3-relay card is mounted in the electrical part of the steam generator below the main card, using the 2 screws supplied.

5.2.2 Electrical connection

Remove the original connections to connect the timer bath option.



5.3 USE

5.3.1 Activation

Press the push-button to switch on the steam generator. The red LED lights up, indicating that the steam bath is heating up. Once the temperature has been reached, the light turns green, indicating to the customer that the bath is ready. The steam bath will run for 30 minutes (default value), which can be modified in the generator's "Changing unit configuration" menu.

6. FRAGRANCE DISPENSER



The products used for the fragrance option may cause health problems. Read the instructions carefully before use. The operator of the Steam Bath is responsible for the conformity of the selected product.



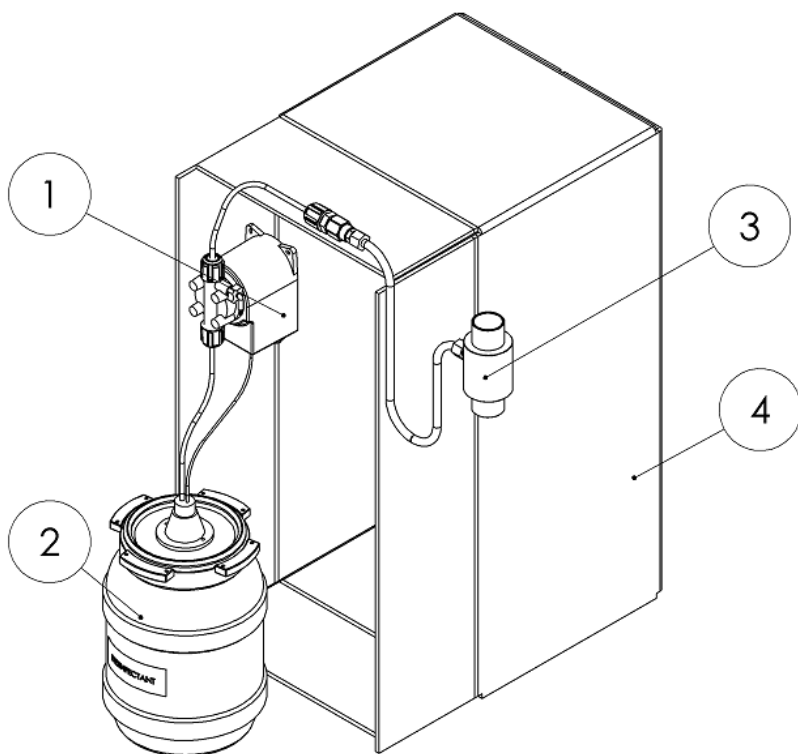
The 3-contact (or 8-contact) board is essential for operation of the fragrance option. It is fitted as standard in new steam generators. If your steam generator does not come with this board, please order it from your distributor.

6.1 CONTENT AND DIMENSIONS

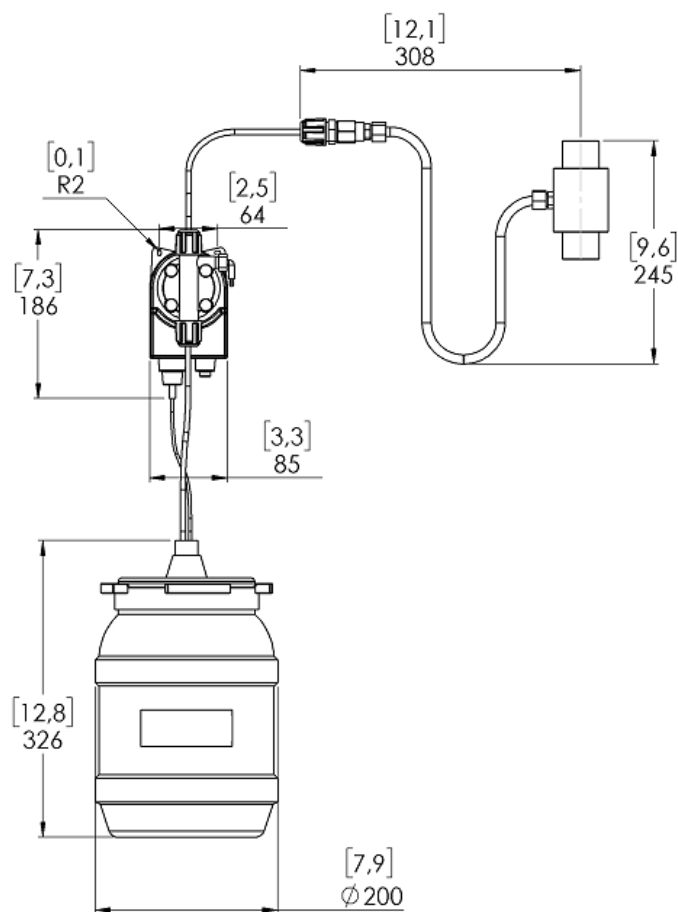
6.1.1 Contents

This accessory includes the following components:

1. A dosing pump
2. 7-liter canister with suction tube and safety float for automatic shut-off in case of fragrance shortage
3. A serpentine assembly for perfume injection into the steam pipework
4. A packing carton
5. 2 Steam hose clamps.



6.1.2 Dimensions



6.2 INSTALLATION

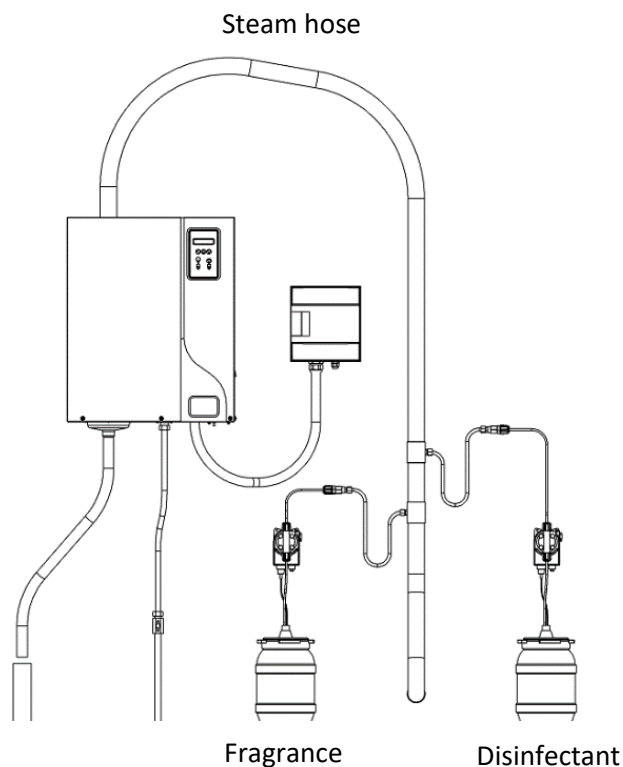
6.2.1 Positioning

Install the pump in an area where ambient temperature does not exceed 40°C and relative humidity is less than 90%. Fix the pump (screw supplied) max. 1.5 m from the fragrance canister.

Position the coil assembly as close as possible to the steam nozzle, then connect it to the steam piping according to your pipe diameter (Ø25 or Ø40 mm).

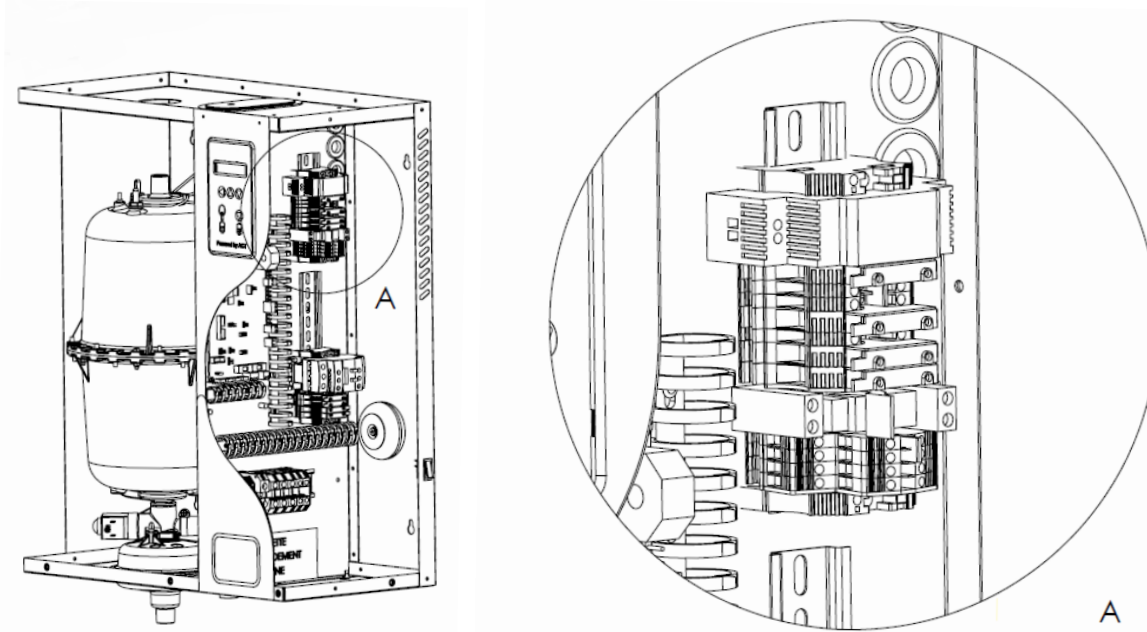


Pump discharge height is 1.5m maximum

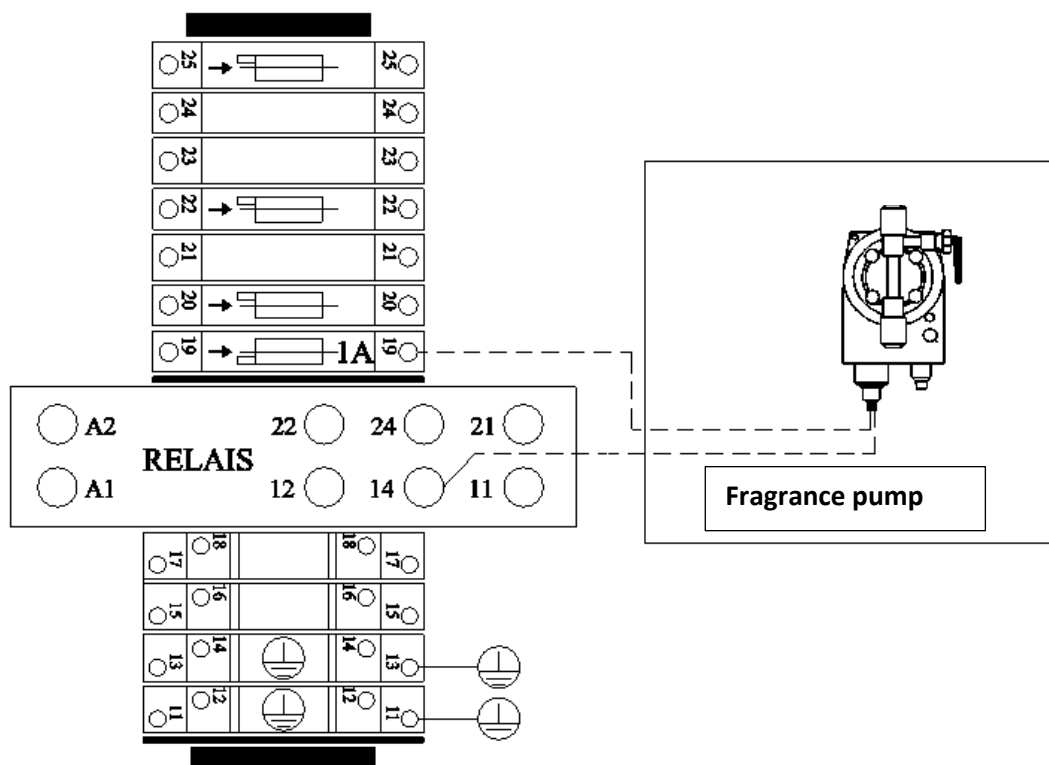


6.2.2 Electrical connection

Position in generator



Rail connection



6.2.3 Pump status

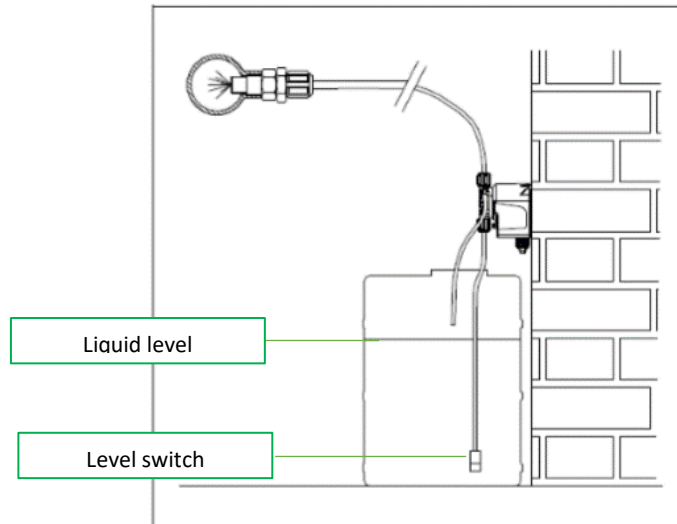
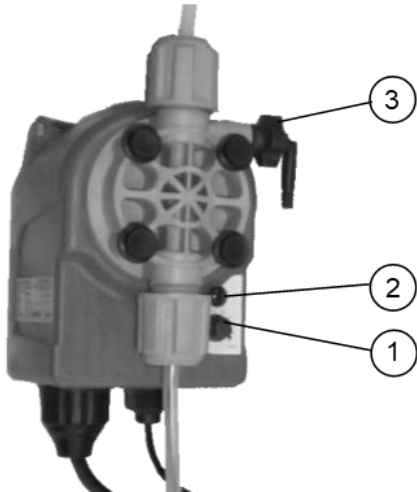
- Flashing synchronously with pump operation: normal operation.
- Slow flashing without dosing: functional stop.
- Rapid flashing without dosing: level alarm.
- LED always off: power supply disconnected or insufficient voltage (< 90Vac).

6.3 USE

6.3.1 Activation

Regardless of the operating mode, terminals 3 and 4 are set to use the fragrance diffuser. To activate :

- Start pump at maximum frequency (1)
- Open priming connector (3)
- Wait for liquid to come out
- Check that the pump is perfectly full of liquid
- Close the priming connector (3): your fragrance dispenser is ready for use.



NOTE :

Pump operation is controlled by a level sensor inside the canister.
For the pump to operate, the liquid level must be higher than the low level.

6.3.2 Settings

To make the settings below, you must first set the pump injection frequency potentiometer to 100%.

For a steam generator in standard operation, you can change the duration and frequency of fragrance injection by going to the system parameter change menu and selecting code 2.3.4 and entering the following parameters:

Set fragrance injection time from 0 to 10 sec. (factory setting 5 sec.)

**PERFUME
DURATION XX SEC**

Set fragrance injection frequency from 1 to 99 minutes (factory setting 5 minutes).

**PERFUME
FREQUENCY XX MIN**

In the case of a steam generator in operation, touchscreen remote control and/or Bluetooth application:

Via the Bluetooth application or the touch-sensitive remote control, you can adjust the injection time only. Please refer to the product's technical documentation, fragrance setting paragraph.

The injection frequency can only be set on the steam generator, please use the method for a generator in standard operation.

7. DISINFECTANT DISPENSER



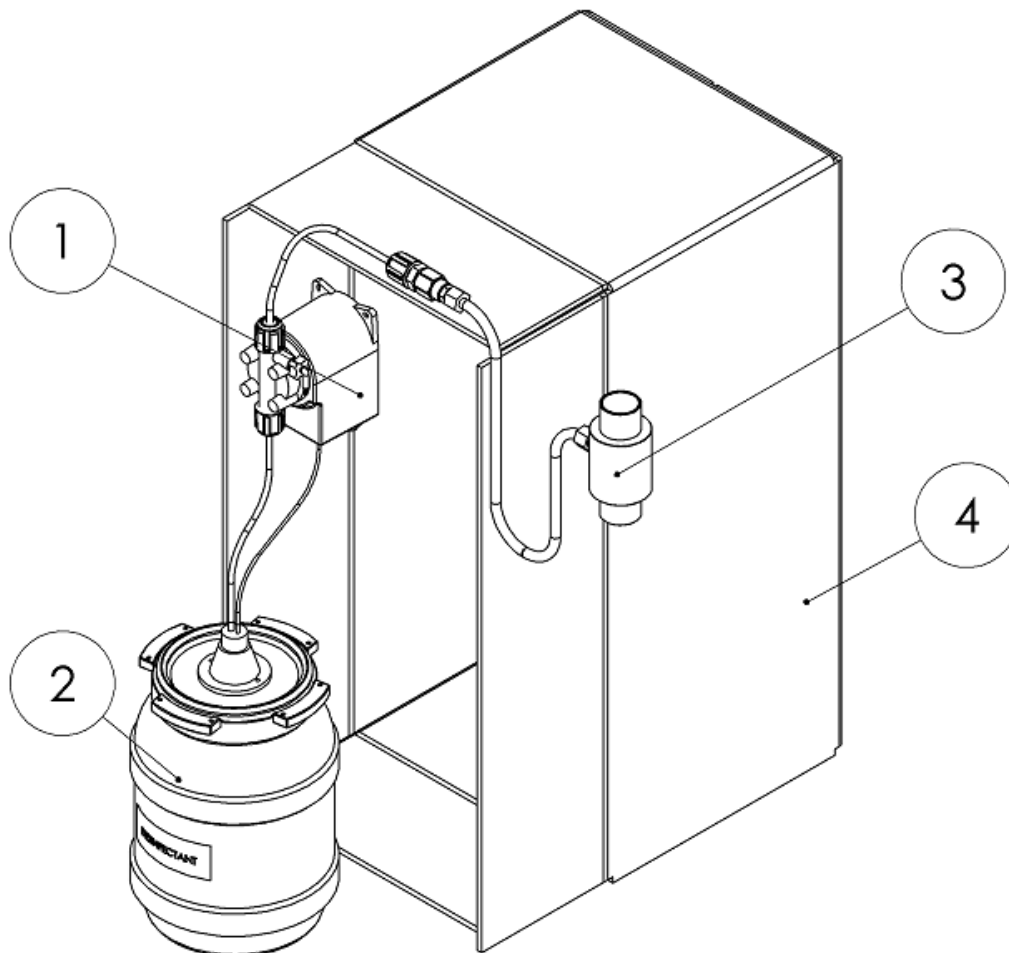
The products used for the disinfectant option may cause health problems. Read the instructions carefully before use. The operator of the Steam Bath is responsible for the conformity of the selected product.

7.1 CONTENT AND DIMENSIONS

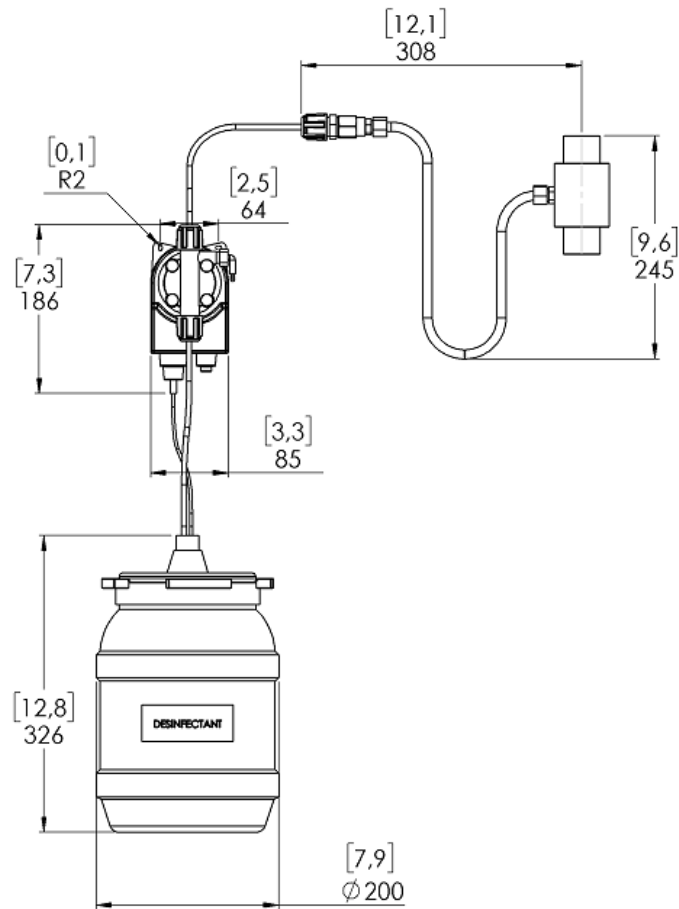
7.1.1 Contents

This accessory includes the following components:

1. A dosing pump
2. 7-liter canister with suction tube and safety float for automatic shut-off in case of fragrance shortage
3. A serpentine assembly for perfume injection into the steam pipework
4. A packing carton
5. 2 Steam hose clamps.



7.1.2 Dimensions



7.2 INSTALLATION

7.2.1 Positioning

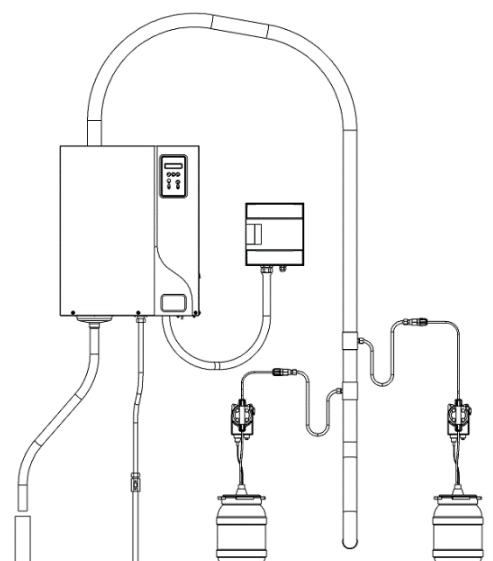
Install the pump in an area where ambient temperature does not exceed 40°C and relative humidity is less than 90%.

Fix the pump (screw supplied) max. 1.5 m from the fragrance canister.

Position the coil assembly as close as possible to the steam nozzle, then connect it to the steam piping according to your pipe diameter (\varnothing 25 or \varnothing 40 mm).

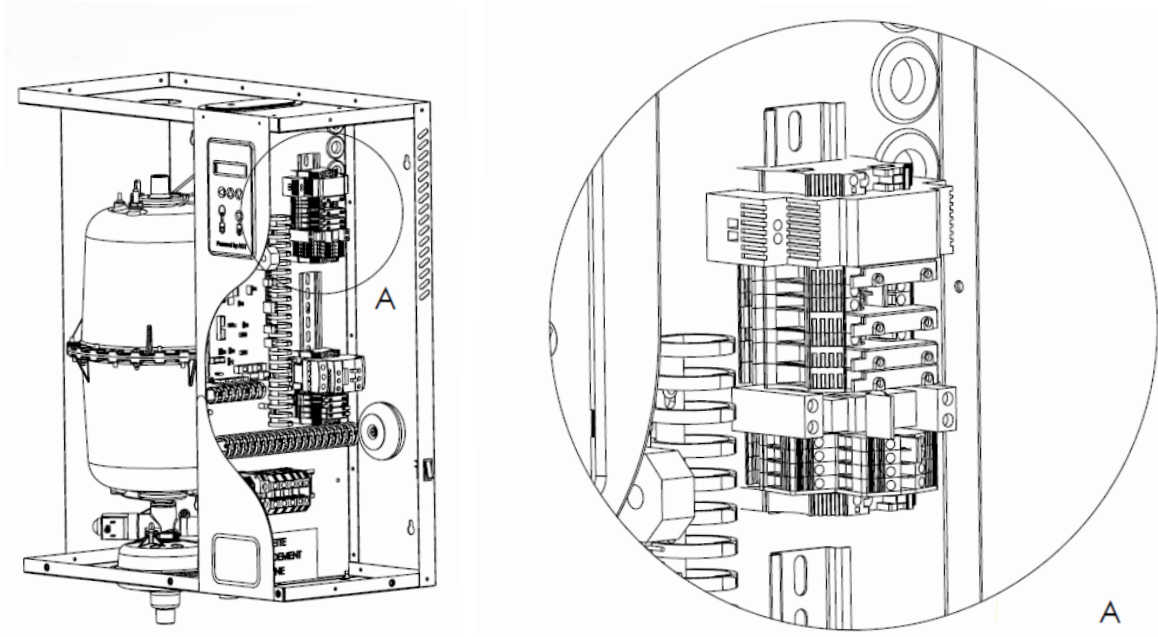


Pump discharge height is 1.5m maximum

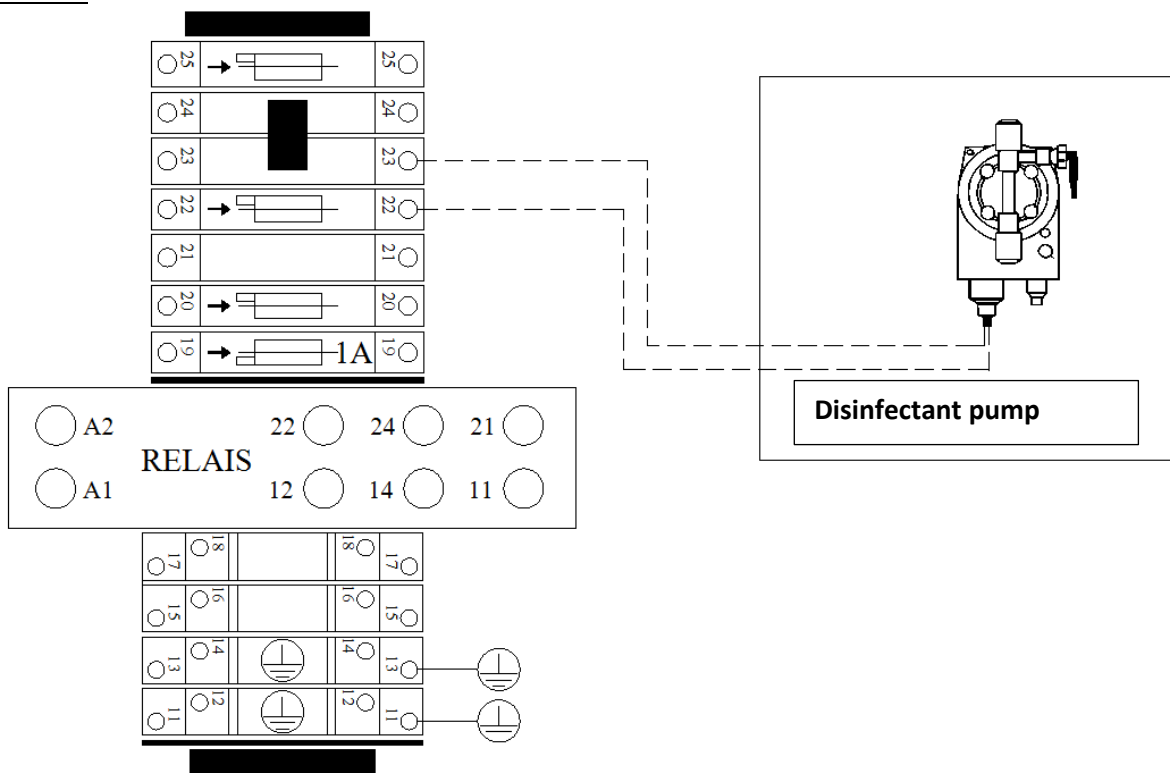


7.2.2 Electrical connection

Position in generator



Rail connection



7.2.3 Pump status

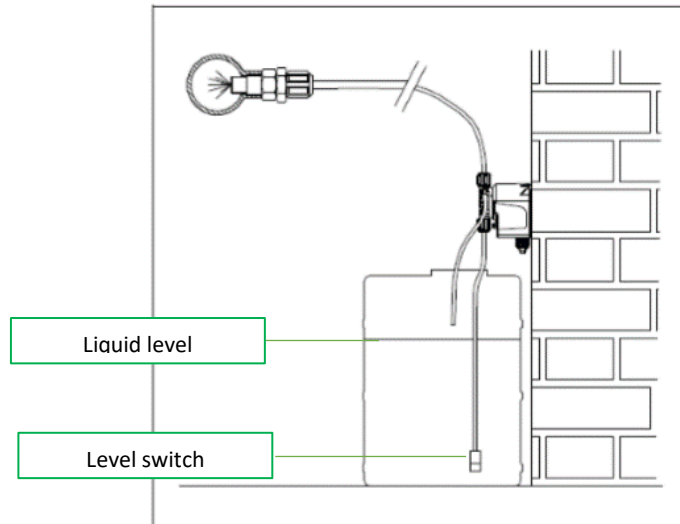
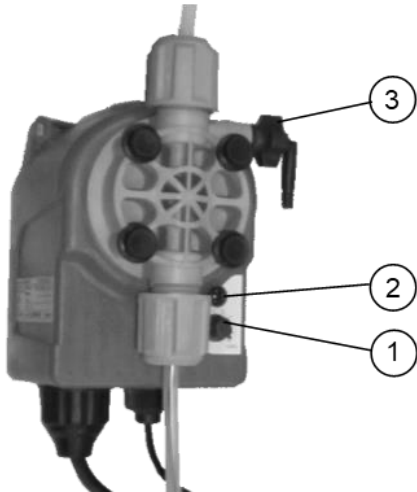
- Flashing synchronously with pump operation: normal operation.
- Slow flashing without dosing: functional stop.
- Rapid flashing without dosing: level alarm.
- LED always off: power supply disconnected or insufficient voltage (< 90Vac).

7.3 USE

7.3.1 Activation

Regardless of the operating mode, terminals 3 and 4 are set to use the fragrance diffuser. To activate :

- Start pump at maximum frequency (1)
- Open priming connector (3)
- Wait for liquid to come out
- Check that the pump is perfectly full of liquid
- Close the priming connector (3): your fragrance dispenser is ready for use.



NOTE :

Pump operation is controlled by a level sensor inside the canister.
For the pump to operate, the liquid level must be higher than the low level.

At the end of the day, wait for the temperature inside the hammam to drop below 35°C. To lower the temperature quickly, you can open the hammam door.

When the steam room reaches a temperature of 35°C, switch on the steam generator, then activate disinfection by pressing the ▲ and ▼ buttons simultaneously for 5 seconds.

The following message appears for 2 seconds:

**STARTING
DISINFECTION**

7.3.2 Settings

The disinfection time can be modified in the system parameter change menu (code: 2.3.4) of your steam generator, see table below for a recommended time:

Steam room volume [m3]	Recommended disinfection time (minutes)
- by 10	6
20	8
30	10
40	12
50	14

7.3.3 Course

If the temperature in the steam room exceeds 35°C, the following message appears:

**T° TOO HIGH
T= xx°C - WAITING**

When the steam room temperature is below 35°C, the following message appears:

**WAITING
STEAM PRODUCTION**

Once the generator produces steam and the temperature inside the steam room rises, disinfectant diffusion is activated for a programmed time.

The following message appears:

**DISINFECTION
AT RUN xx MIN**

When the temperature in the steam room reaches the set point, the disinfection timer is stopped, and will resume counting down only when steam is produced.

Once the disinfection time has been reached, a timer (15 minutes) for steam production is triggered, to evacuate disinfectant residues in the steam piping.

The following message appears:

**DISINFECTION
RINSING xx MIN**

When the disinfection cycle is complete, the following message appears:

**DISINFECTION
COMPLETED**

At the end of the disinfection process, switch off your unit using the on/off switch. To use your generator again, press the on/off switch again.

8. LIGHT TRANSFORMER

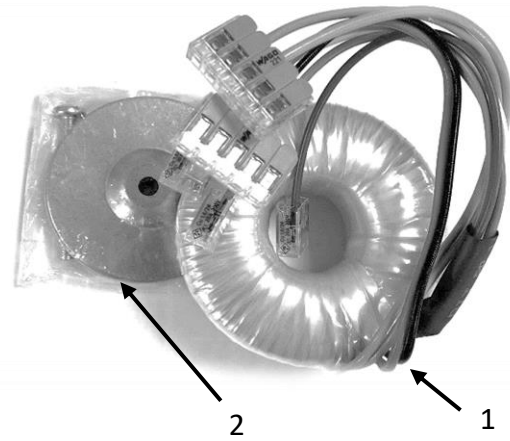
This option allows you to adapt and control a light inside the steam room. It is available in 2 references with 2 different wattages: 50 VA and 100 VA. Transformer wattage is determined by light wattage and whether the remote control option is present.

This option is required when using a remote control or if the steam bath lights are 12 VAC or 24 VAC.

8.1 CONTENTS

This accessory includes the following components:

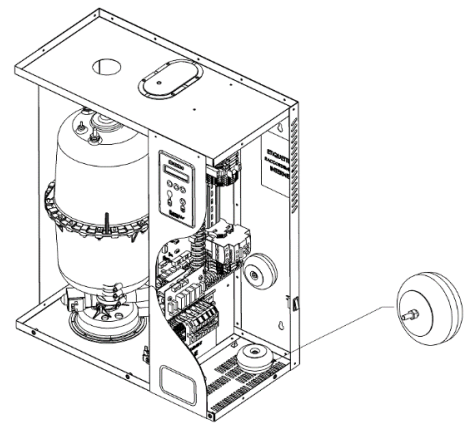
1. A transformer with terminal blocks.
2. Mounting accessories (screw, nut, washer)



8.2 INSTALLATION

8.2.1 Positioning

This option is positioned in the electrical part of the steam generator using the screws supplied with the transformer.

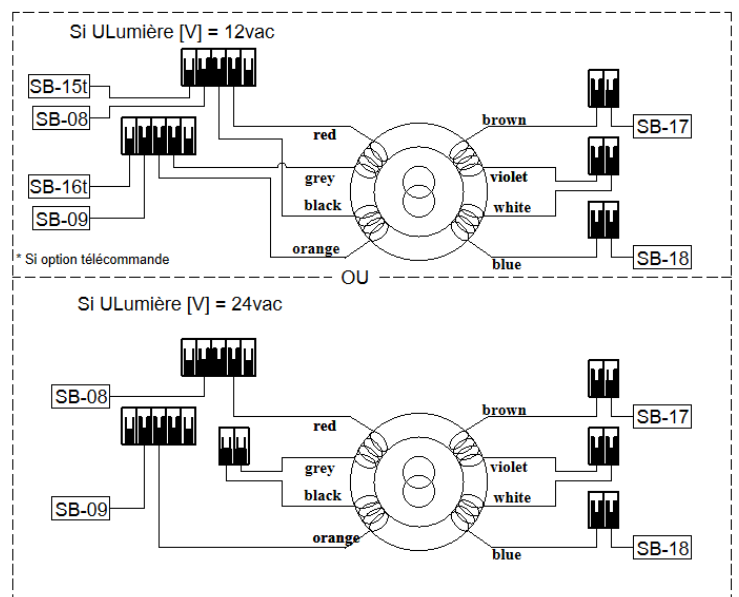
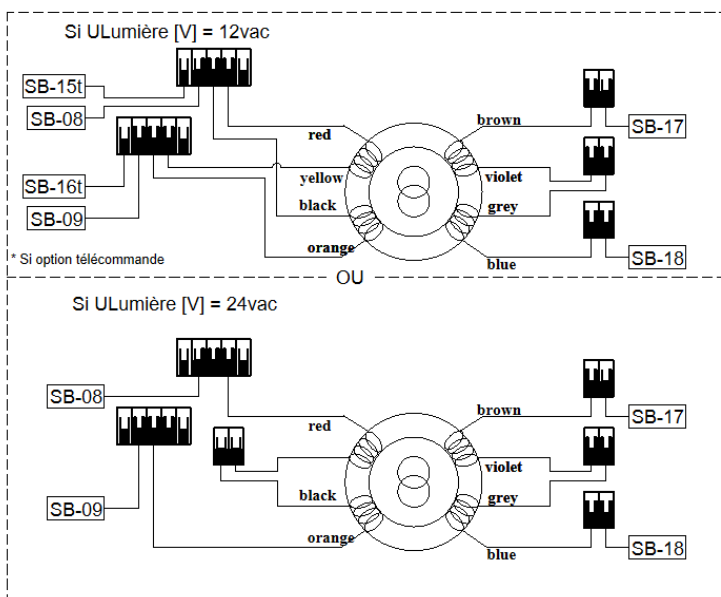


8.2.2 Electrical connection

Connection is made using the cables supplied with the steam generator (SB-XX). Please refer to the steam generator documentation. SB-15t and SB16t wires are used with the remote control option.

END139503-050 (50VA)

END139503-100 (100VA)



*Red = Red, Black = Black, Brown = Brown, Blue = Blue, Yellow = Yellow, Grey = Grey, White = White

9. STEAM DIFFUSION NOZZLE

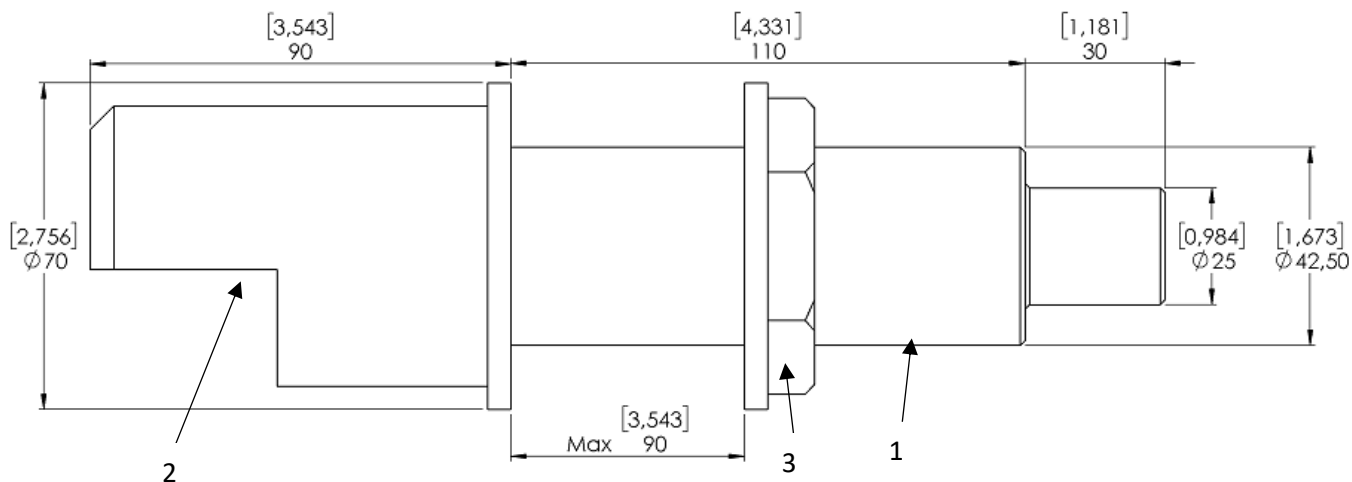
9.1 CONTENT AND DIMENSIONS

9.1.1 Contents

This accessory includes the following components:

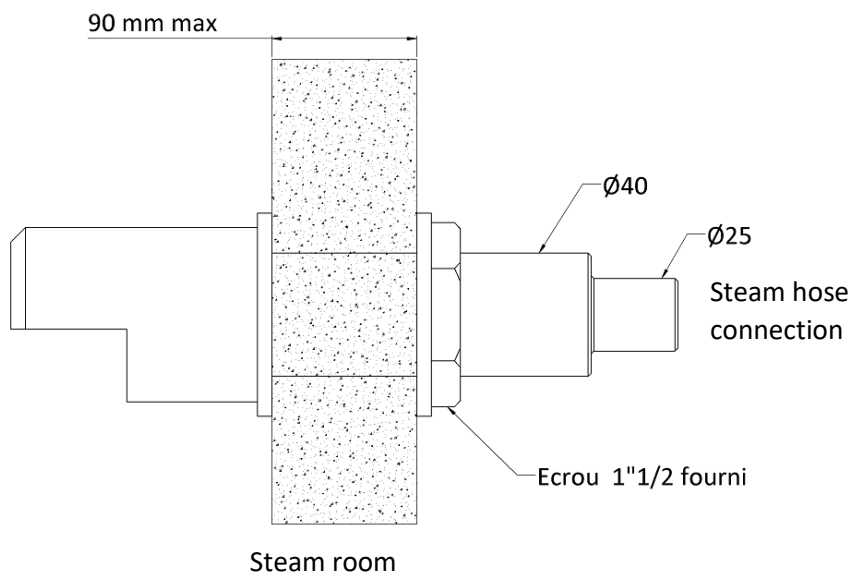
1. A nozzle/steam pipe adapter shaft
2. A nozzle head
3. A positioning nut

9.1.2 Dimensions



9.2 INSTALLATION

9.2.1 Positioning





185, Boulevard des Frères Rousseau
76550 Offranville - France
www.devatec.com

Export→ Tel. +33 (0)2 35 83 06 44
Email : export@devatec.com

France→ Tel. +33 (0)2 35 04 61 41
Email : france@devatec.com

Devatec continues to develop its products. For this reason, product features and specifications are subject to change without notice.
DT_SB V3-OPTION_EN_REV A.1- 10/2024 Edition - V 3.0.X program version